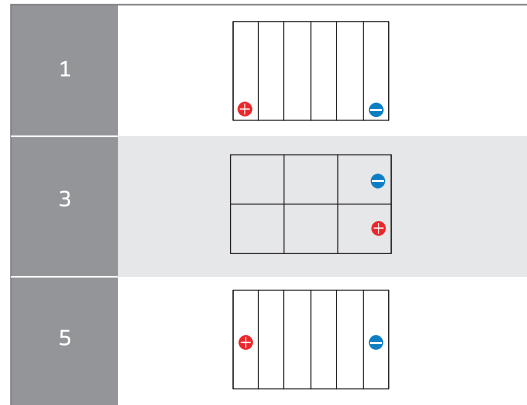
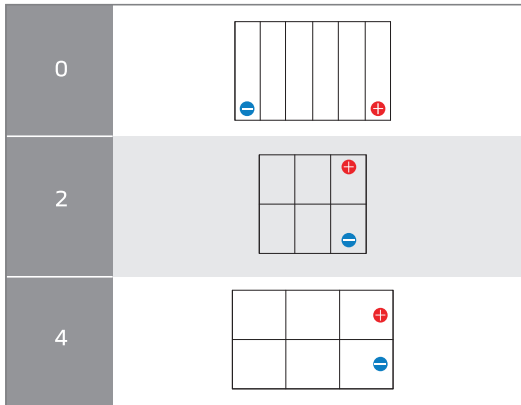









Technical Data Layout / Terminals / Hold-down

LAYOUT

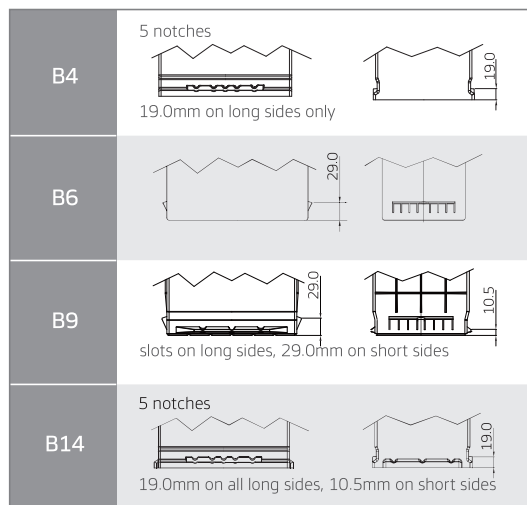
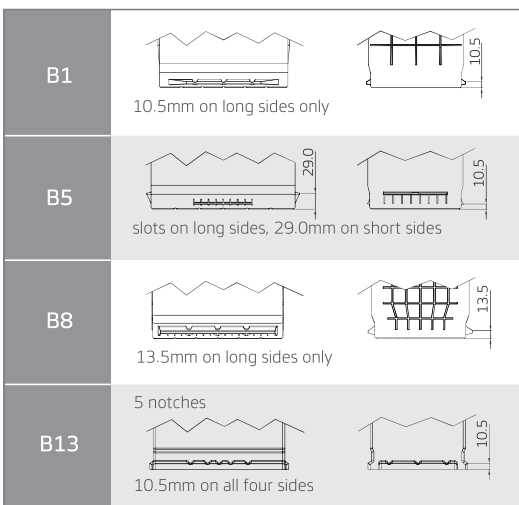


TERMINALS

Terminal	A (Standard)	B (Small)	Dual Fit	4F	Stud	Side	Marine Twin	U1 Lug
Positive					 3/8"-16 Threads		 5/16"-18 THREADS	
Negative					 3/8"-16 Threads		 5/16"-18 THREADS	

* DT: Dual Terminal (Standard + Side)

HOLD-DOWN



* For B0 there is no Hold-Down